

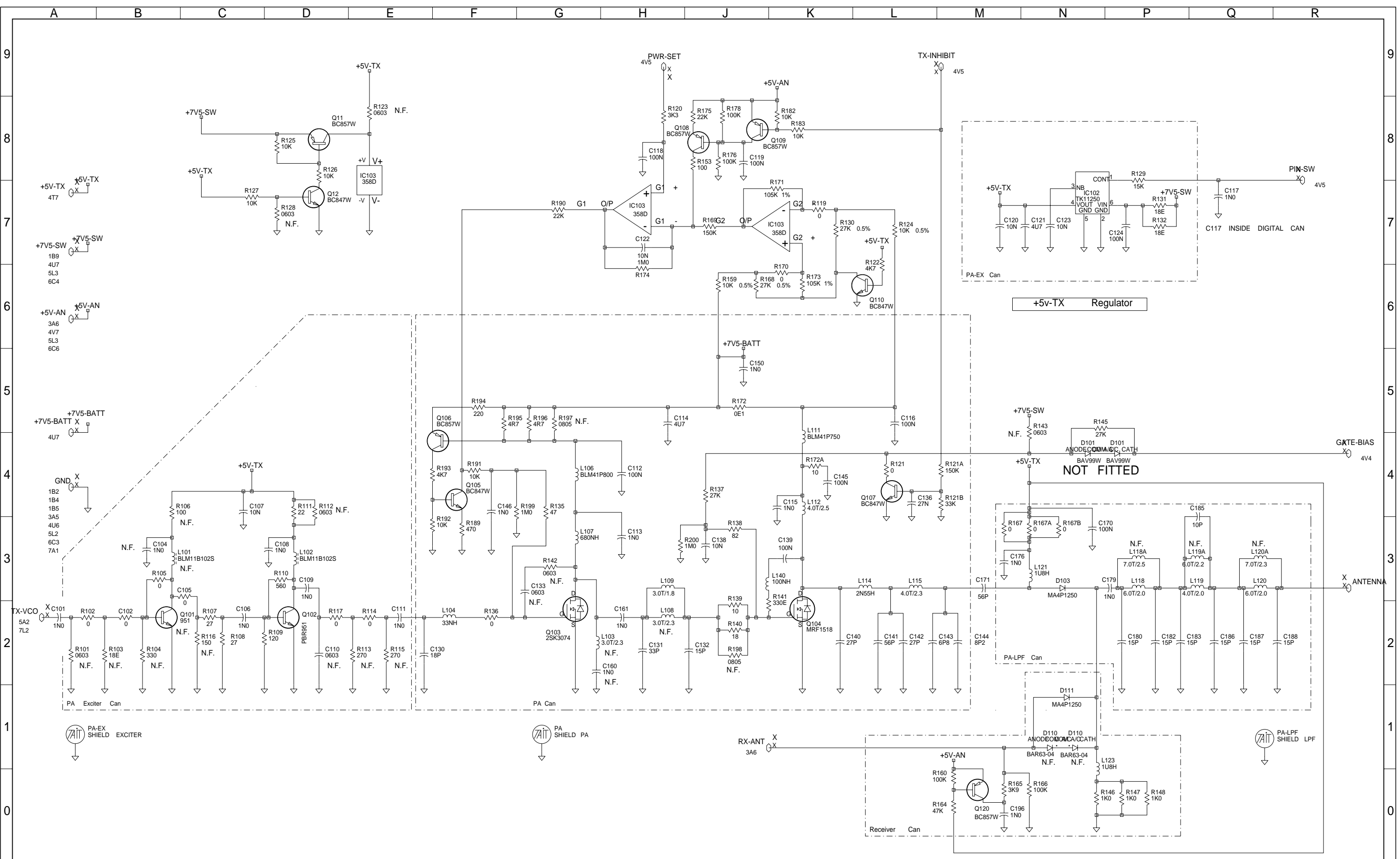
04E	C280 VALUE CHANGE ECO 103200060	BRD	X	X	X	20-03-03
04C	ECO 501444 VALUE CHANGES PA	BRD				18-09-02
04B	PROFLOW PASTE CREATED	BRD				28-05-02
04A	CCO NO. 1654-004	BRD				15-03-01
03B	CCO NO. 1654-003	BRD				08-01-01
03A	CCO NO. 1654-002	BRD				26-09-00
02A	CCO NO. 1654-001	BRD				09-8-00
01A	NEW PA LINEUP SYNTH RX	BRD				10/07/00
REV/ISS	AMENDMENTS	DRAWN	CHKD	D.O.	APVD	DATE

© TAIT ELECTRONICS
 TOP T5K 174-225MHZ
 SYSTEM DIAGRAM

IPN: 220-01654-04
 ISSUE: E 2.SC. 1
 ID: 1

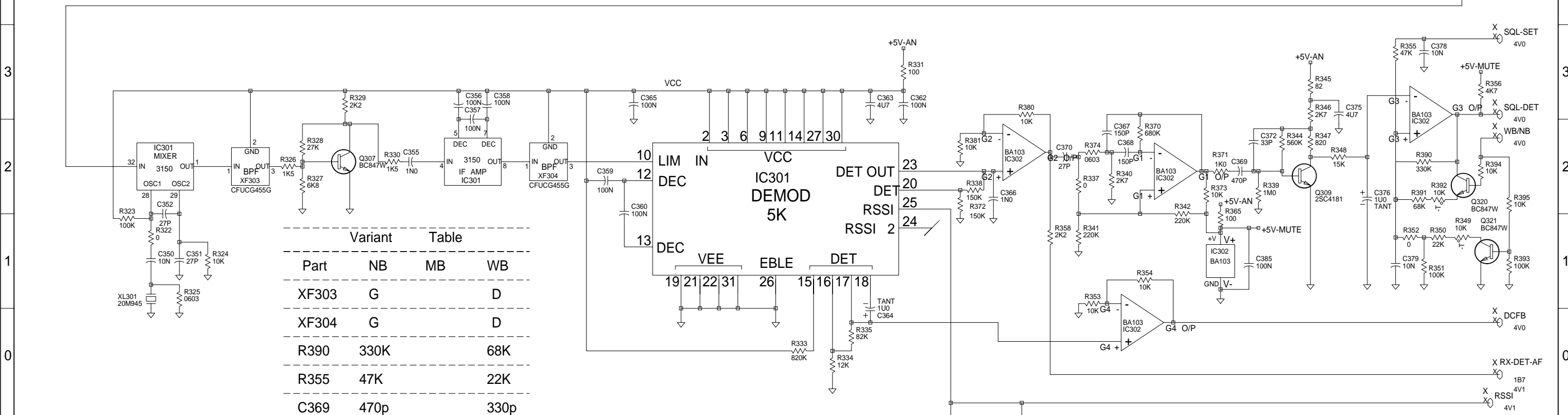
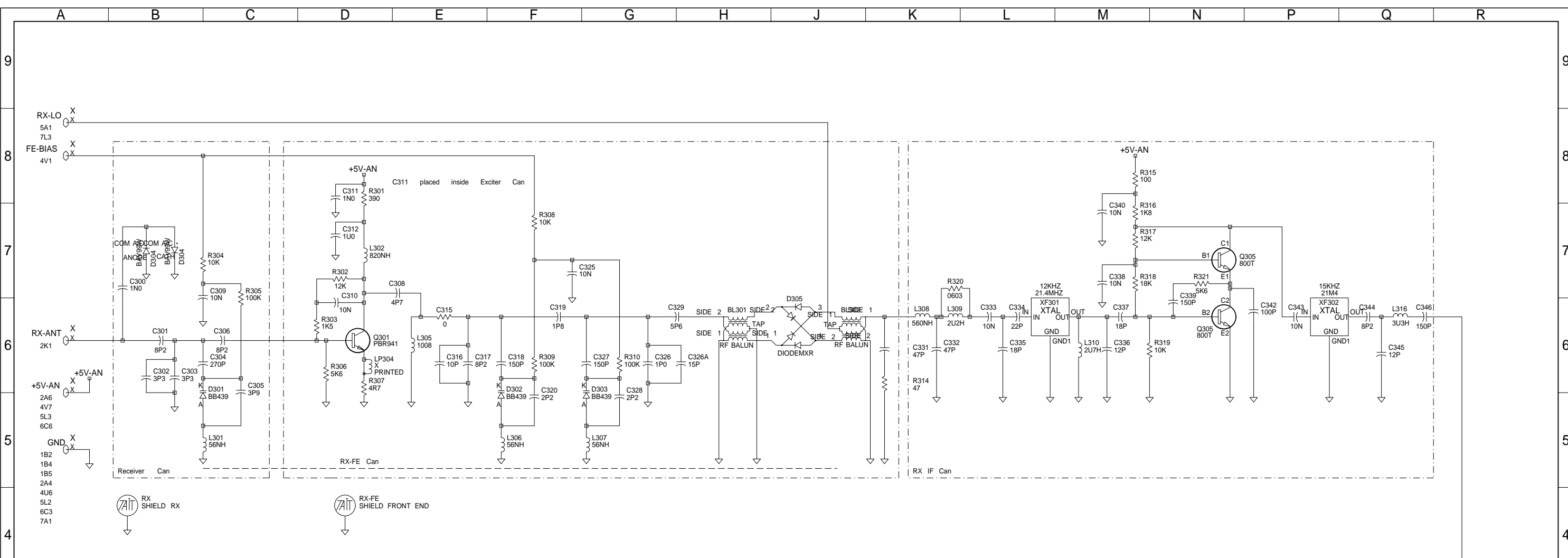
PROJECT: TAIT ORCA
 DESIGNER: BRD
 FILE NAME: 165404e
 DATE: 21-Mar-03
 NO. SHEETS: 7

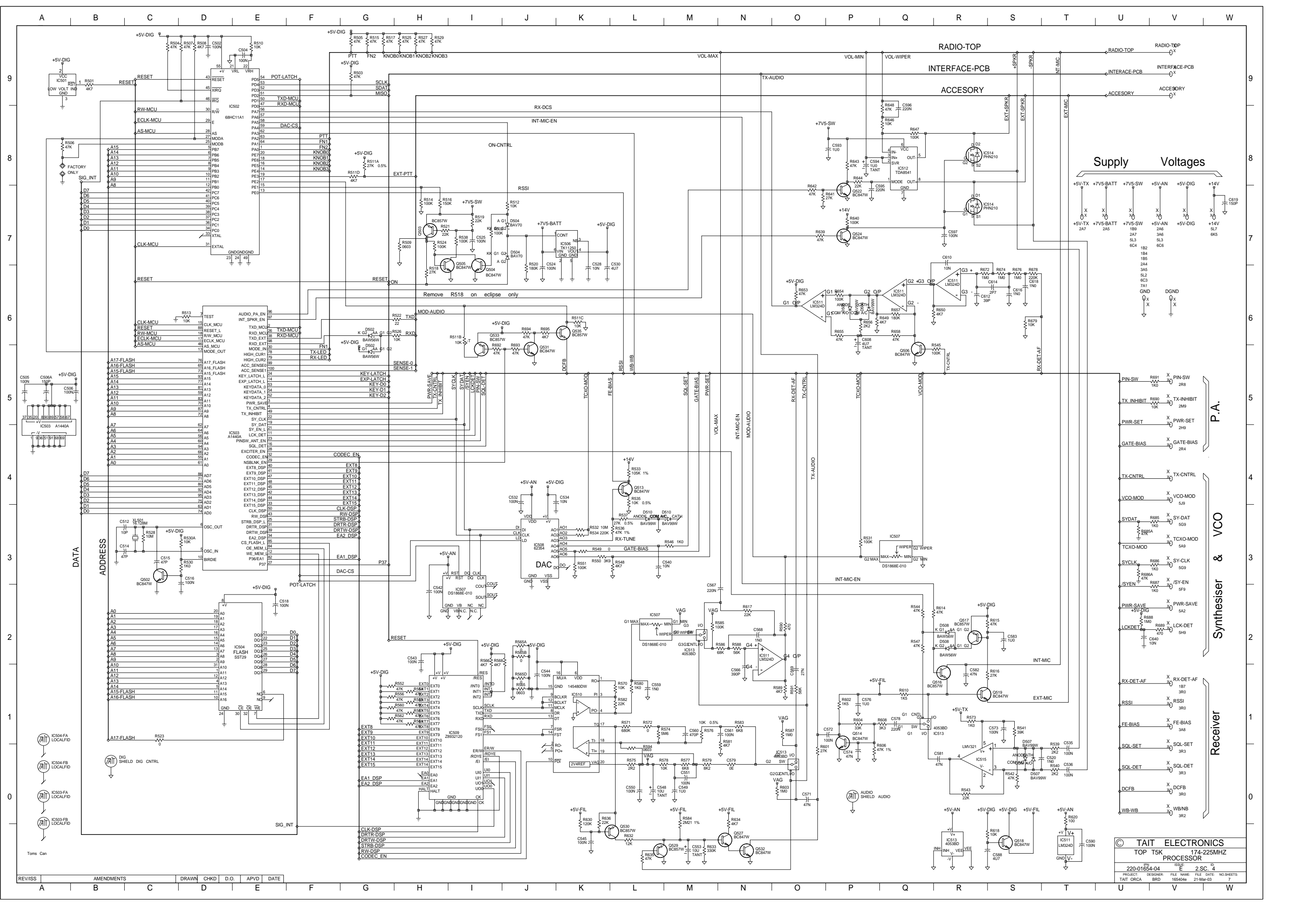




© TAIT ELECTRONICS
 TOP T5K 174-225MHZ
 POWER AMPLIFIER
 IPN: 220-01654-04 ISSUE: E 2.SC. 2
 PROJECT: TAIT ORCA DESIGNER: BRD FILE NAME: 165404e FILE DATE: 21-Mar-03 NO.SHEETS: 7

REV/ISS	AMENDMENTS	DRAWN	CHKD	D.O.	APVD	DATE

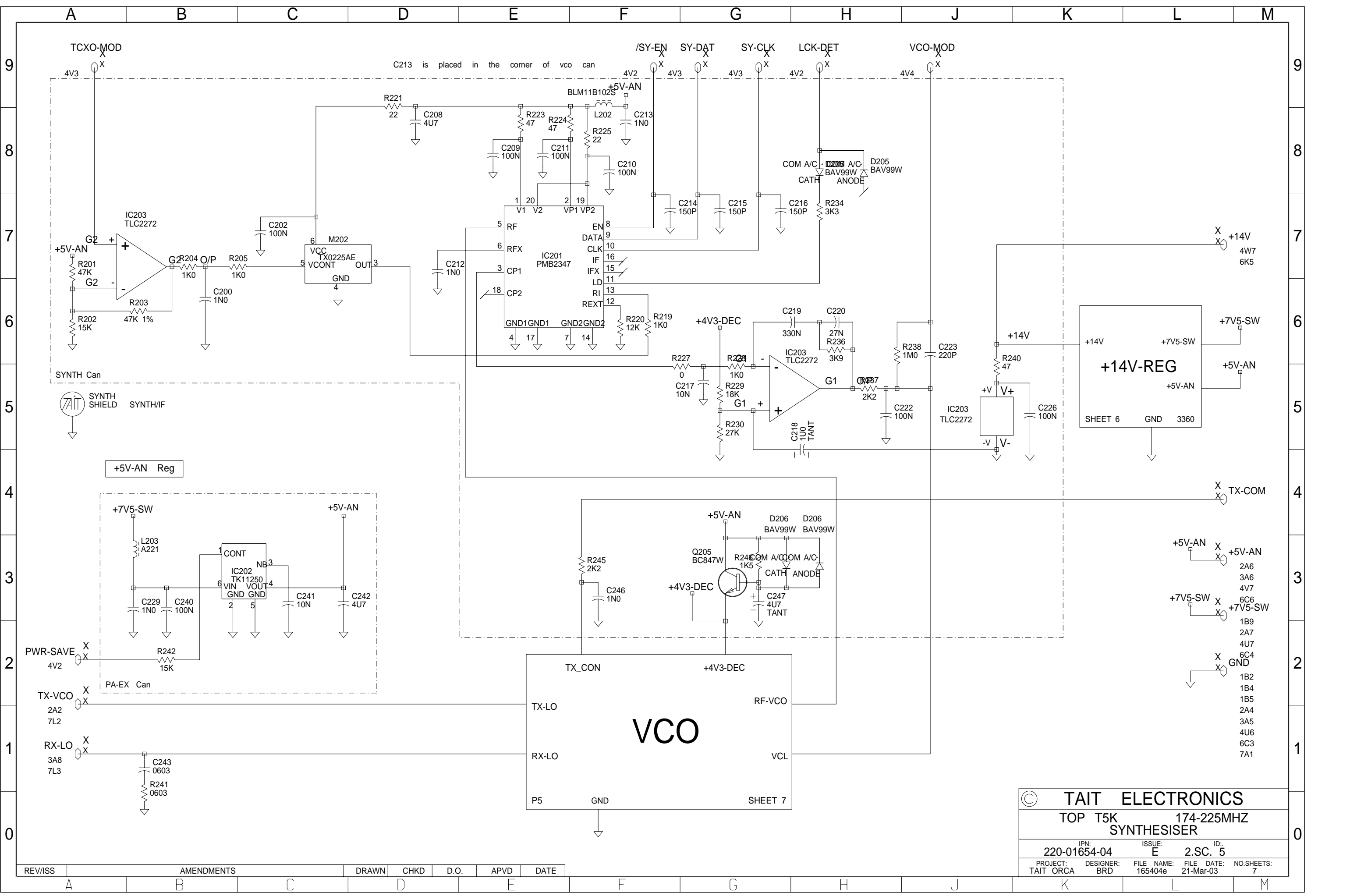




© TAIT ELECTRONICS
 TOP T5K 174.225MHZ
 PROCESSOR
 I/P: 220-01654-04 E 2.S.C. 4
 PRODUCT DESIGNER: FILE NAME: NO SHEETS:
 TAIT CIRCA BRD: 164044 21-Mar-03 7

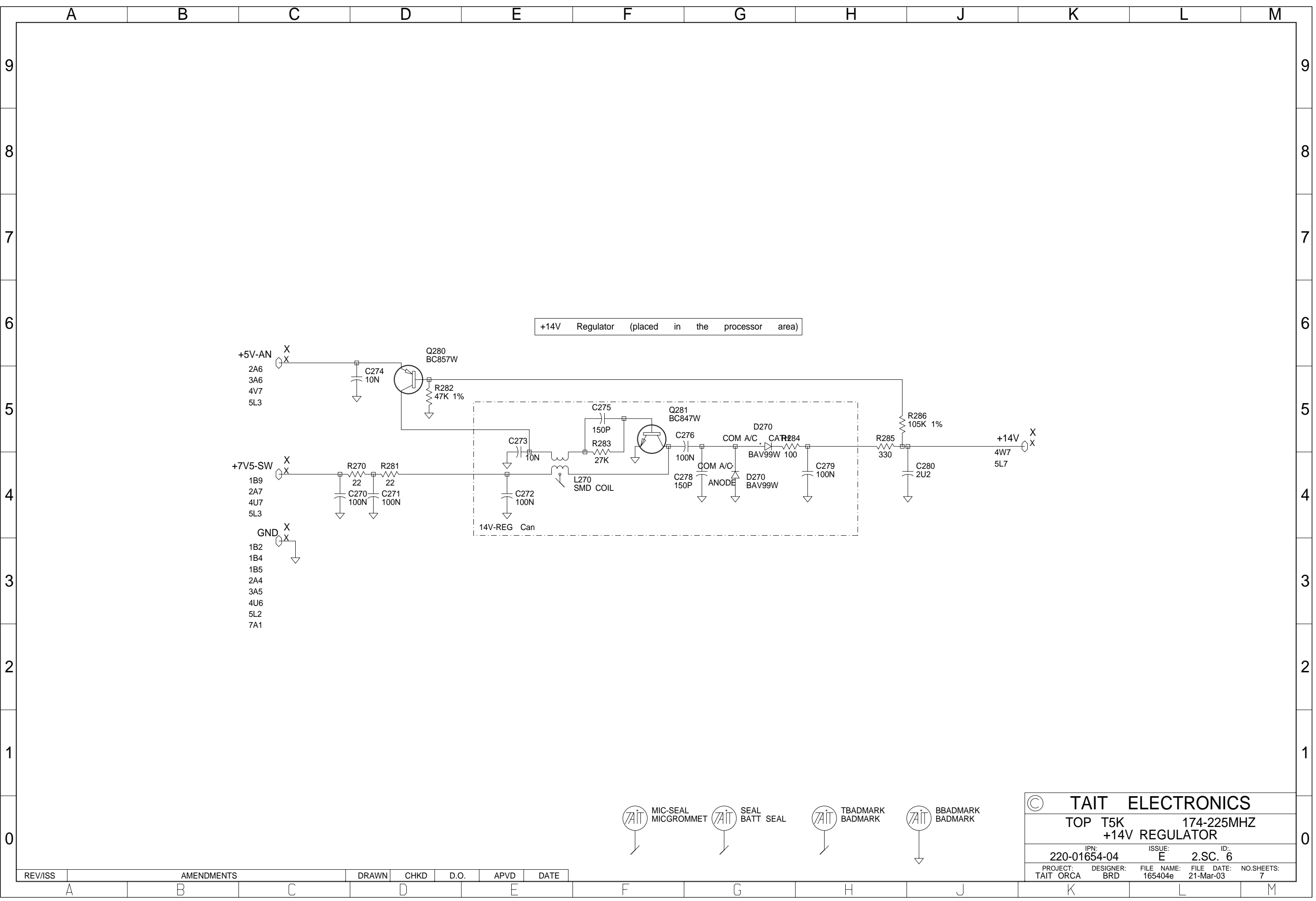
REV/ISS	AMENDMENTS	DRAWN	CHKD	D.O.	APVD	DATE
A	B	C	D	E	F	G

Toms Can

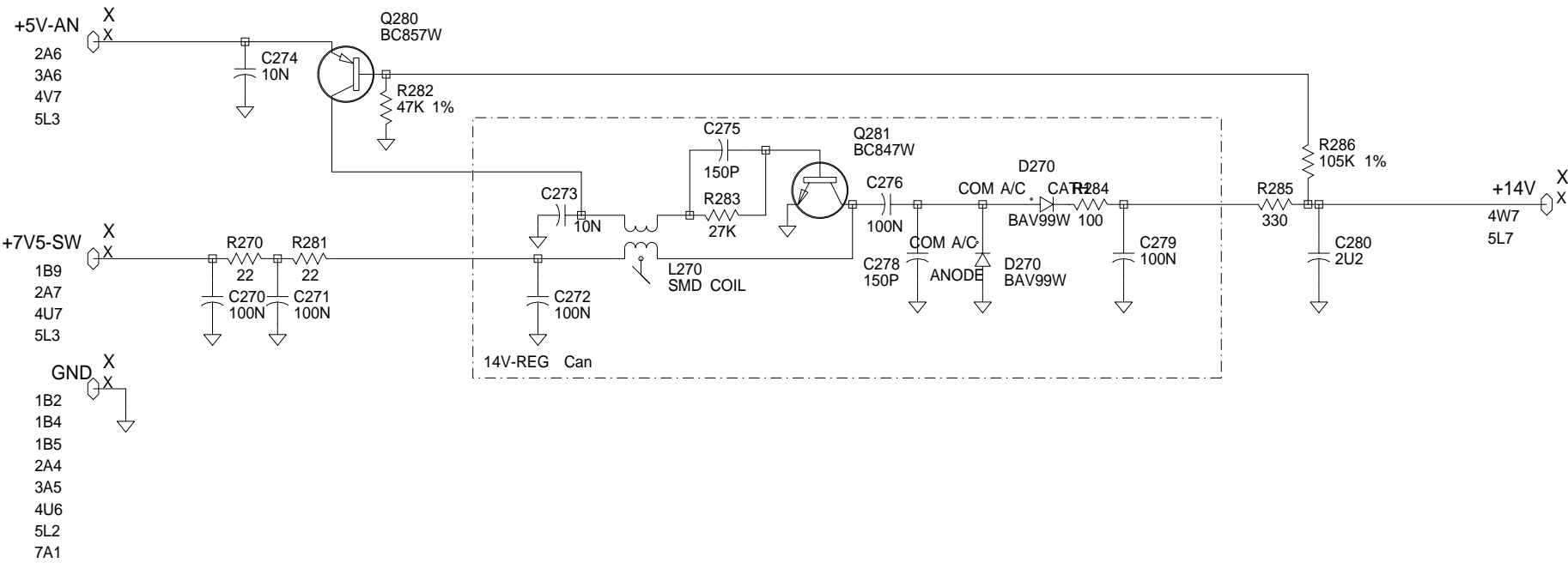




© TAIT ELECTRONICS
 TOP T5K 174-225MHZ
 SYNTHESISER
 IPN: 220-01654-04 ISSUE: E ID: 2.S.C. 5
 PROJECT: TAIT ORCA DESIGNER: BRD FILE NAME: 165404e FILE DATE: 21-Mar-03 NO.SHEETS: 7

REV/ISS	AMENDMENTS	DRAWN	CHKD	D.O.	APVD	DATE



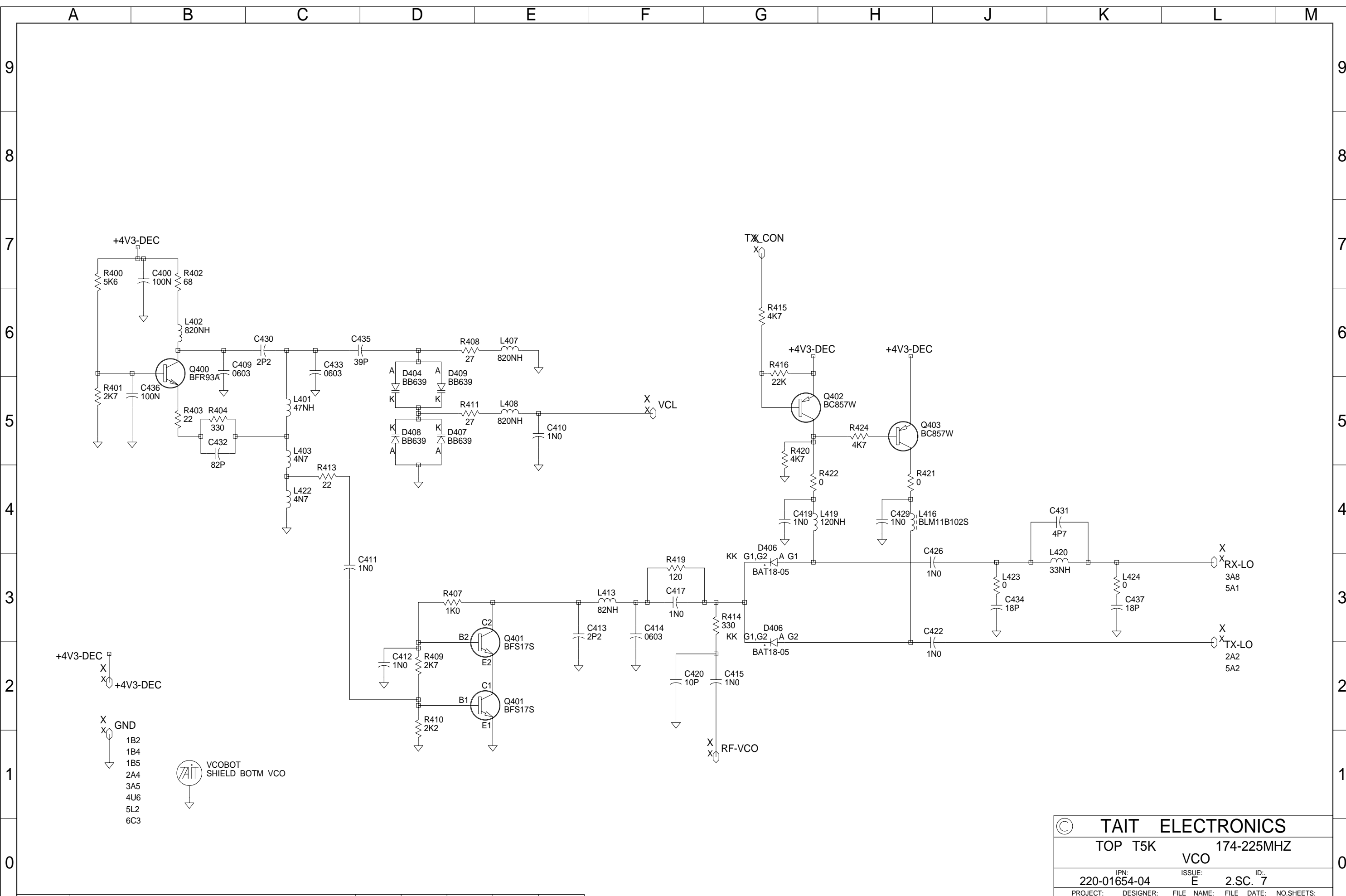
+14V Regulator (placed in the processor area)



- 
 MIC-SEAL
 MICGROMMET
- 
 SEAL
 BATT SEAL
- 
 TBADMARK
 BADMARK
- 
 BBADMARK
 BADMARK

TAIT ELECTRONICS	
TOP T5K	174-225MHZ
+14V REGULATOR	
IPN: 220-01654-04	ISSUE: E
PROJECT: TAIT ORCA	DESIGNER: BRD
FILE NAME: 165404e	FILE DATE: 21-Mar-03
NO. SHEETS: 7	ID: 2.S.C. 6

REV/ISS	AMENDMENTS	DRAWN	CHKD	D.O.	APVD	DATE



© TAIT ELECTRONICS	
TOP T5K	174-225MHZ
VCO	
IPN: 220-01654-04	ISSUE: E
DESIGNER: BRD	FILE NAME: 165404e
FILE DATE: 21-Mar-03	NO. SHEETS: 7

REV/ISS	AMENDMENTS	DRAWN	CHKD	D.O.	APVD	DATE